



Picnic table Standard XL Natural Concrete

Product code: PS.ST.XL

£ 5,050.00 excl. VAT
(£ 6,060.00 incl. VAT)

Cast from one piece of natural concrete, this picnic set XL is a beautiful and practical eye-catcher for your site. It offers room for a complete football team and is indestructible. Years of seating pleasure for many visitors!

What are the specifications of the standard XL picnic set?

The weight of this picnic set is no less than 2100 kg. The set has the ideal ratio between table top and seats and the total dimensions are 450 x 192 x 75 cm. Robustness and solidity do not come at the expense of the beautiful appearance of this picnic set. It is a true jewel for the location.

Alternatives to the standard XL picnic set

If you are looking for seating for larger groups, the XL version of the picnic set is recommended. In addition to this natural concrete colour, you can also choose from anthracite concrete and anthracite lacquered. Do you prefer compact, do you lack space to place an XL picnic set or do you prefer several smaller picnic sets instead of one large one? HeBlad's offering is extensive. In the same colours as the picnic set XL, you can choose from standard, oval and DeLuxe. DeLuxe stands for a finish with bamboo seats. More comfortable seating, but with the same weather resistance as concrete!

Base plate and concrete benches

It may sometimes be wise to use a base plate to place the picnic set standard XL or other HeBlad products. This base plate provides strength and stability and can

22 February 2025 - Prices subject to change

Our products are delivered from our factory in the Netherlands.



correspondence address

HeBlad - UK

The Balance, 7th floor, Pinfold Street
S1 2GU Sheffield, South Yorkshire
T. 0114 352 0110
info@HeBlad.co.uk
www.HeBlad.co.uk

head office address

HeBlad BV

Diamantweg 22
NL - 5527 LC Hapert

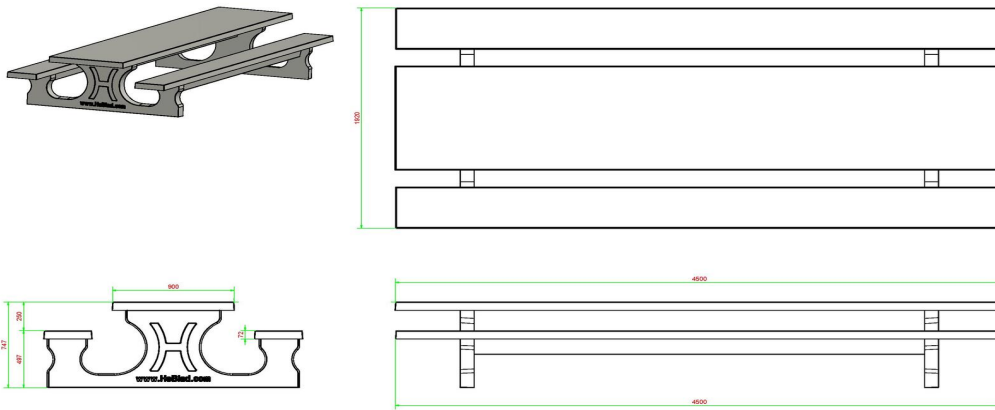
be ordered separately from the set, it is not included in the price. Concrete benches from HeBlad can be used to supplement the picnic set. Not only beautiful and practical, but can also be used as extra protection of your site.

Contact HeBlad

We understand that our wide range can be overwhelming and that you may have questions about our products and the options at your location. Therefore, please contact us and ask your questions to one of our employees. We work with professionals who are happy to think along with you.

Our products are delivered from our factory in the Netherlands.

Registered under: HeBlad BV • HM Revenue and Customs • Ruby House 8 • Ruby Place • AB10 1ZP Aberdeen
VAT Number GB381060225 • EORI Number GB381060225000 • Commercial register (NL) 170 66 364
Rabobank De Kempen, Markt 7, 5531 BA Bladel (NL) • BIC RABONL2U • Branch code RABONL2UXXX • IBAN NL 20 RABO 0107530112 GBP



HeBlad
www.HeBlad.com
PS.ST.XL
± 2100 KG.

Specifications Picnic table Standard XL Natural Concrete

Product code	PS.ST.XL	Tabletop thickness	7 cm
Colour	Natural concrete	Seat height	50 cm
Dimensions (L x W x H)	450 x 192 x 75 cm	Weight	2100 kg
Dimensions tabletop (L x W)	450 x 90 cm	Material seat	Beton
Height tabletop	75 cm	Distance legs	355 cm (hart op hart)

Related products



PS.STAB.XL



PS.STA.XL



PS.DL.RT



OP.PS



PS.ST

Our products are delivered from our factory in the Netherlands.